



Buy it for looks. Buy it for life.®

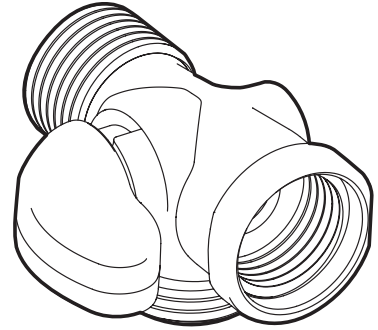
# Specifications

## DESCRIPTION

- Shower arm diverter
- Available in various finishes identified by suffix
- 1/2" IPS connection

## WARRANTY

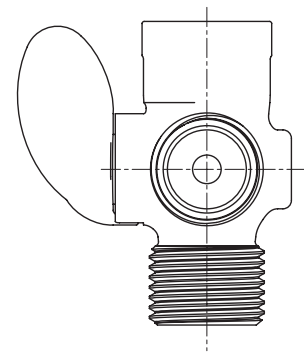
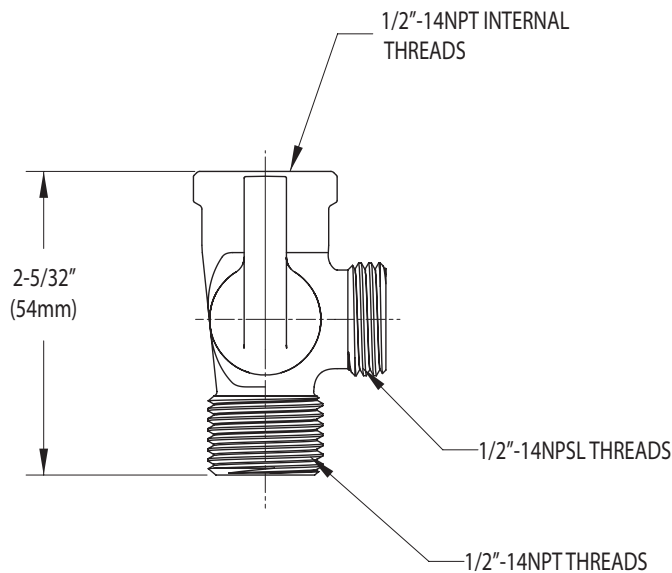
- Lifetime limited warranty against leaks, drips and finish defects to the original consumer purchaser
- 5 year warranty if used in commercial installations



**Shower Arm Diverter**

**MODEL**

**A720 series**



## CRITICAL DIMENSIONS

(DO NOT SCALE)

**FOR MORE INFORMATION CALL: 1-800-BUY-MOEN**

**[www.moen.com](http://www.moen.com)**